

FABRICATED SLIDE VALVES

ROTOLUX
everything under control...

• FABRICATED SLIDE VALVES •

INTRODUCTION

The Rotolok industrial range of slide valves are simply, but robustly, designed to handle powders, pellets and granules over a wide field of applications. They may be operated manually, or by pneumatic means or electric motors, and offer reliable, continuous service with the minimum of attention and maintenance.

The standard range covers most needs, but the basic designs are capable of fabrication to any specified sizes and construction.

IMPORTANT FEATURES

- No jamming. All slide plates run on flanged rollers.
- Minimal leakage. All valves (except enclosed valves) fitted with packing gland type seals.
- Streamlined design means unrestricted material flow.

All add up to Rotolok standards.

RANGE

Wide standard range of manual, motorised, pneumatic versions, suitable for all usual flow handling applications. Special sizes fabricated on request.

SPECIFICATION

Body

Mild or Stainless Steel from 3mm plate.

Side Plates

Mild or Stainless Steel.

Hand Wheel and Chain Wheel

Rack and Pinion.

Solenoid Valves

Five port four way single solenoid spring return.

Limit Switches

Micro switches to IP55.

Motors

1/8hp TEFC motor with torque limiter to prevent overload

Rollers

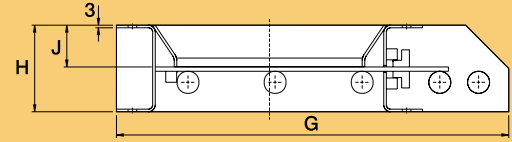
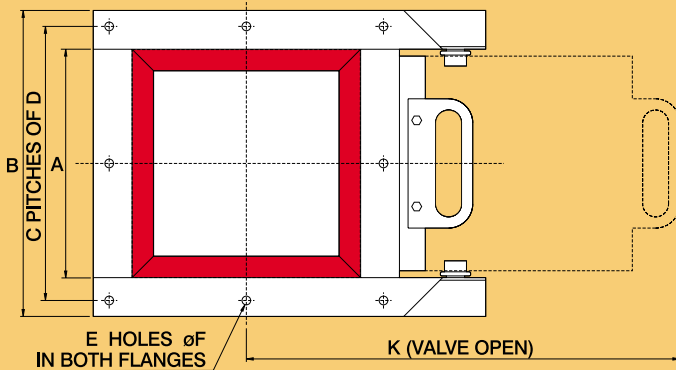
Flanged MS oilite bushes or nylon.



• FABRICATED SLIDE VALVES •

MANUAL SQUARE SLIDE

The basic model in the range, designed for straightforward, easy push-pull manual operation.



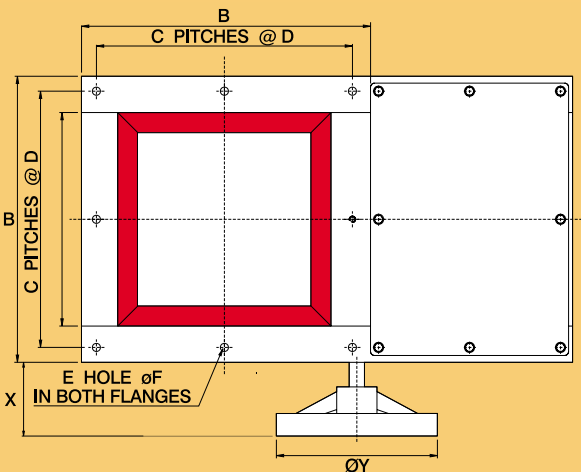
PLANNING IN DETAILS FOR GENERAL GUIDANCE ONLY

Drillings are Rotolok standards. Variations can be made.

VALVE SIZE	SIZE	A	B	C	D	E	F	G	H	J	K
	150	150	240	2	100	8	10	348	100	48	330
	165	165	255	2	108	8	10	363	100	48	353
	200	200	290	2	125	8	10	398	100	48	405
	215	215	305	2	133	8	10	413	100	48	428
	250	254	344	2	149	8	12	440	100	48	488
	265	265	355	2	159	8	10	455	100	48	503
	300	300	390	4	87	16	12	485	100	48	595
	320	320	410	4	92	16	12	518	100	48	585
	350	350	440	4	100	16	12	535	100	48	630
	370	370	460	4	105	16	12	568	100	48	660
	400	400	490	4	113	16	12	600	100	48	706
	420	420	510	3	156	12	18	617	100	48	742

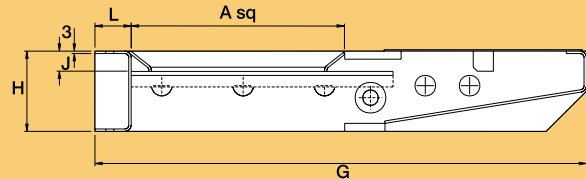
Dimensions in millimetres unless stated

Dimension subject to change without notice



RACK AND PINION SQUARE SLIDE

Provides a finer degree of manual control for metering, etc. Fitted with handwheel or, alternatively, a chain wheel for operating at varying heights above floor level.



PLANNING IN DETAILS FOR GENERAL GUIDANCE ONLY

Drillings are Rotolok standards. Variations can be made.

VALVE SIZE	SIZE	A	B	C	D	E	F	G	H	J	L	X	Y
	165	165	255	2	108	8	M8	406	100	25	45	92	200
	200	203	293	2	125	8	M8	477	100	25	45	92	200
	215	215	305	2	133	8	M8	501	100	25	45	92	200
	250	254	344	2	149	8	M8	580	100	25	45	92	200
	265	265	355	2	159	8	M8	610	100	25	45	92	200
	300	300	390	4	87	16	M10	671	100	25	45	92	200
	320	320	410	4	92	16	M10	711	100	25	45	92	200
	350	356	446	3	135	16	M10	785	100	25	45	92	200
	370	370	460	4	105	16	M10	820	100	25	45	92	200
	400	406	496	4	113	16	M10	883	100	25	45	92	200
	420	420	510	4	118	16	M10	915	100	25	45	92	200

Dimensions in millimetres unless stated

Dimension subject to change without notice

FABRICATED SLIDE VALVES

SINGLE SQUARE PNEUMATIC SLIDE
Also based on the standard manual valve but fitted with one cylinder for medium duty applications.

PLANNING IN DETAILS FOR GENERAL GUIDANCE ONLY

Drillings are Rotolok standards. Variations can be made.

VALVE SIZE	SIZE	A	B	C	D	E	F	G	H	J	K	L
150	150	152	242	2	100	8	M8	530	100	48	45	240
165	165	165	255	2	108	8	M8	543	100	48	45	240
200	200	203	293	2	125	8	M8	610	100	48	45	265
215	215	215	305	2	133	8	M8	668	100	48	45	315
250	250	254	344	2	149	8	M8	707	100	48	45	315
265	265	265	355	2	159	8	M8	775	100	48	45	365
300	300	300	390	4	86	16	M10	802	100	48	45	380
320	320	320	410	4	92	16	M10	873	100	48	45	430
350	350	350	440	4	100	16	M10	897	100	48	45	415
370	370	370	460	4	105	16	M10	942	100	48	45	465
400	400	400	490	4	113	16	M10	972	100	48	45	465
420	420	420	510	4	118	16	M10	1072	100	48	45	530

Dimensions in millimetres unless

Dimension subject to change without

stated

notice

DOUBLE SQUARE PNEUMATIC SLIDE
Based on the standard manual valve and fitted with two double acting cylinders and one four-way solenoid valve and limit switches. Compact and robust design of enclosed construction.

PLANNING IN DETAILS FOR GENERAL GUIDANCE ONLY

Drillings are Rotolok standards. Variations can be made.

VALVE SIZE	SIZE	A	B	C	D	E	F	H	J	K	L	M	N	P	Q
150	150	150	240	2	100	8	M8	100	48	45	67	460	310	235	390
165	165	165	255	2	108	8	M8	100	48	45	68	461	305	235	405
200	200	203	293	2	125	8	M8	100	48	45	70	525	335	260	450
215	215	215	305	2	133	8	M8	100	48	45	71	516	382	310	440
250	250	254	344	2	149	8	M8	100	48	45	65	570	382	310	494
265	265	265	355	2	159	8	M8	100	48	45	71	570	435	360	495
300	300	300	390	4	87	16	M10	100	48	45	71	611	432	360	540
320	320	320	410	4	92	16	M10	100	48	45	68	631	484	410	560
350	350	356	446	4	100	16	M10	100	48	45	68	667	504	430	596
370	370	370	460	4	105	16	M10	100	48	45	65	686	502	430	610
400	400	400	490	4	113	16	M10	100	48	45	68	721	532	460	640
420	420	420	510	4	118	16	M10	100	48	45	68	735	582	510	660

Dimensions in millimetres unless

Dimension subject to change without

• FABRICATED SLIDE VALVES •

E HOLES F
IN BOTH FLANGES

MOTORISED RACK AND PINION SQUARE SLIDE
Essentially the same design and construction as the rack and pinion valve, but operated by an electric geared motor.

PLANNING IN DETAILS FOR
GENERAL GUIDANCE ONLY

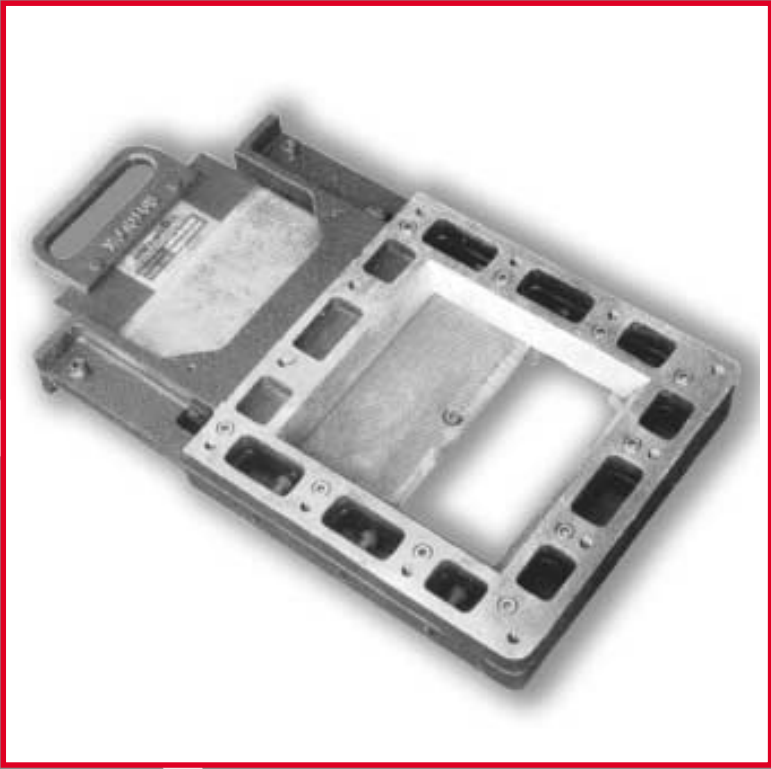
Drillings are Rotolok standards. Variations can be made.

VALVE SIZE	SIZE	A	B	C	D	E	F	G	H	J	K	L	M	N
	300	305	440	3	128	8	18	880	100	25	704	82	285	197
	400	400	553	3	165	12	18	1155	203	50	1155	93	269	272

Dimensions in millimetres unless stated

Dimension subject to change without notice





SLIM SLIDES - MANUAL VERSION

ROTOLUX

everything under control...

• SLIM SLIDES - MANUAL VERSION •

INTRODUCTION

Quick trouble free compact emergency slide valve for the isolation and flow control of free flowing powders, granules and dust.

Ideal for various types of gravity feed applications e.g. silos, hoppers, screw conveyors etc., where easy access or infrequent use lends itself to manual operations.

WHY SLIM SLIDE

Meeting the needs of an Emergency Slide Valve.

IMPORTANT FEATURES

- Compact Design
- No Lodgement Points
- Minimum Dust Escapement
- Precision Machined
- Stainless Steel Slide Plate
- Aluminum Body
- Nylon Support Studs
- Stainless Steel Slide Plate
- Dust Seals
- Round and Square Inlets

SLIM SLIDE

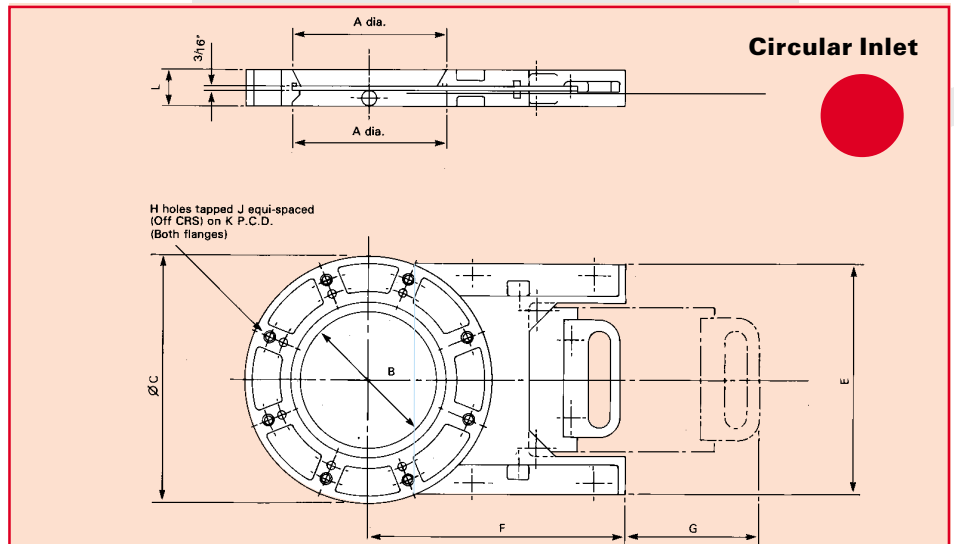
The Slim Slide by careful design has a build up facility and by adding further components it can easily be converted from the manual version to:

- Single Pneumatic Operation
- Screw Type
- Motorized

That is Slim Slide, a cost effective valve for trouble free operation.

Manufactured on CNC machines ensuring:

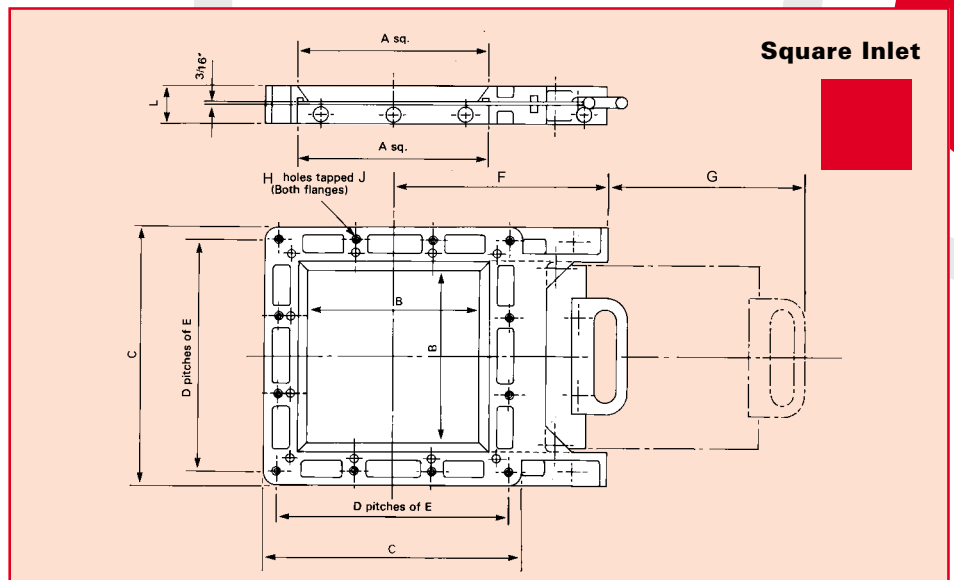
- Quick Deliveries
- Accurate Components
- Interchangeability
- Cost Effectiveness
- Quality Control



	A	B	C	E	F	G	H	J	K	L	
VALVE SIZE	14"	14	13	21	18	18	14	12	M20	17½	2
	12"	12	11	17¾	15¾	16⅛	12	12	M20	15½	2
	10"	10	9	14⅝	13¼	14⅛	10	8	M16	12⅝	2
	8"	8	7	12⅝	11¾	13¼	6¾	8	M16	11	2
	6"	6	5	11¼	9⅞	10⅛	6	8	M16	9½	2
	5"	5	4	9½	8½	9⅛	5	8	M16	7⅛	2

Dimensions in inches unless stated

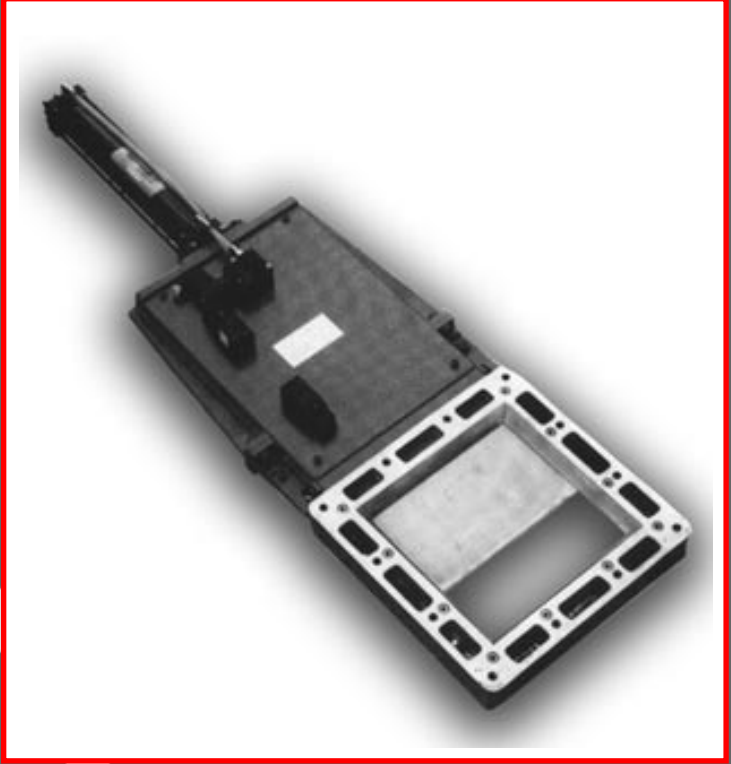
Dimensions subject to change without notice



	A	B	C	D	E	F	G	H	J	L	
VALVE SIZE	14"	14	13	18	3	5½	13¾	13⅞	12	M12	2
	12"	12	11	15¾	3	4⅛	12¼	12	12	M10	2
	10"	10	9	13¼	3	4	11	10	12	M12	2
	8"	8	7	12	3	3⅞	11¾	7	12	M10	2
	6"	6	5	10	3	2¾	9¼	6⅛	12	M10	2

Dimensions in inches unless stated

Dimensions subject to change without notice



SLIM SLIDES - PNEUMATIC VERSION

ROTOLIN

everything under control...

• SLIM SLIDES - PNEUMATIC VERSION •

INTRODUCTION

Used when isolating the flow of dry free flowing powders, granules and dust.

For use on various types of gravity feed applications, e.g. silos, hoppers, screw conveyors etc., where automatic operation is required.

WHY SLIM SLIDE

Rotolok's Slim-Slide has all the features of the Manual version, but can be operated remotely as required in process control.

IMPORTANT FEATURES

- Compact Design
- No Lodgement Points
- Dust Tight to Atmosphere on in-line applications
- Stainless Steel Slide Plate
- Aluminium Body
- Nylon Support Studs
- Stainless Steel Slide Plate
- Dust Seals
- Round and Square Inlets
- Complete with Solenoid Valve and Limit Switches

DESCRIPTION

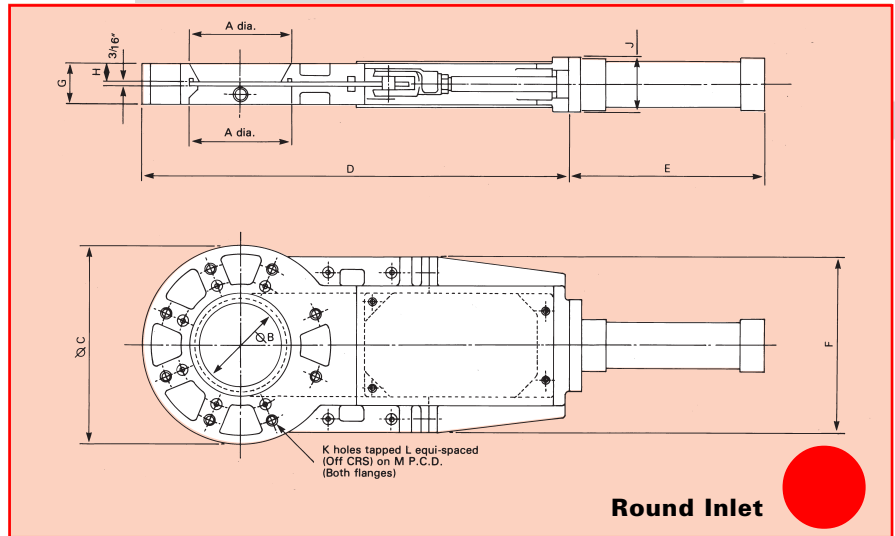
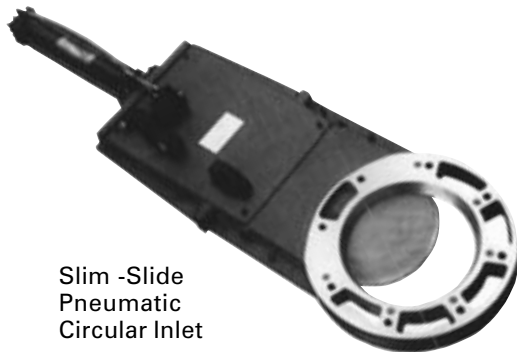
Valve is supplied complete with single solenoid spring return valve and limit switches to indicate open/closed positions.

Cylinder and solenoid is pre-piped ready for installation.

Its compact design is incorporated on applications where minimum space is available.

Manufactured on CNC machines ensuring:

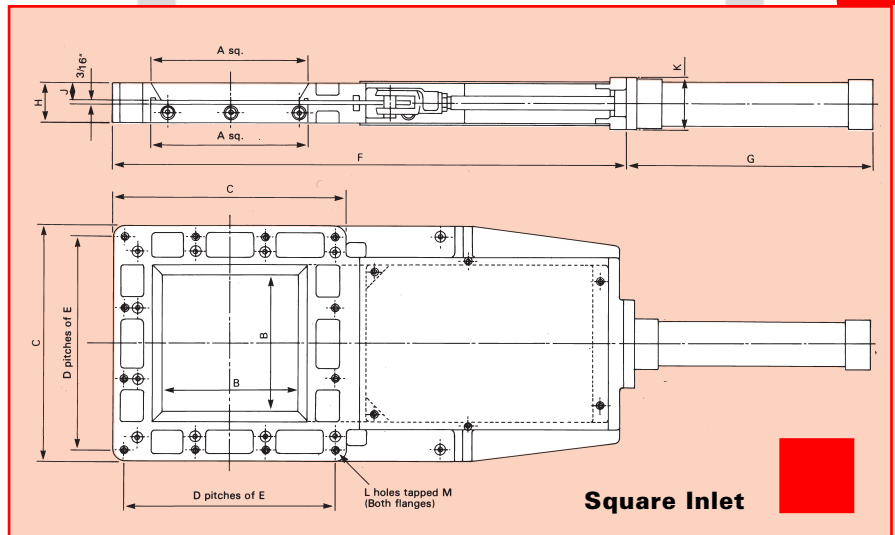
- Quick Deliveries
- Interchangeability
- Accurate Components
- Cost Effectiveness
- Quality Control



	A	B	C	D	E	F	G	H	J	K	L	M	
VALVE SIZE	125	125	100	240	527	245	215	50	22.5	67	8	M16	200
	150	150	125	285	600	270	250	50	22.5	67	8	M16	241
	200	200	175	320	701	320	300	50	22.5	67	8	M16	280
	250	250	225	370	842	385	338	50	22.5	75	8	M16	320
	300	300	275	440	977	435	400	50	22.5	75	12	M20	395
	350	350	325	533	1124	485	458	50	22.5	75	12	M20	445

Dimensions in millimetres unless stated

Dimensions subject to change without notice



	A	B	C	D	E	F	G	H	J	K	L	M	
VALVE SIZE	150	150	125	250	3	70	559	270	50	22.5	67	12	M10
	200	200	175	300	3	90	656	320	50	22.5	67	12	M10
	250	250	225	338	3	101.5	747	385	50	22.5	75	12	M12
	300	300	275	400	3	119	859	435	50	22.5	75	12	M10
	350	350	325	458	3	140	967	485	50	22.5	75	12	M12

Dimensions in millimetres unless stated

Dimensions subject to change without notice



SLIM SLIDES - MOTORIZED

ROTOLIN
everything under control...

• SLIM SLIDES - MOTORIZED •

INTRODUCTION

Used when isolating the flow of dry free flowing powders, granules and dust.

For use on various types of gravity feed applications, e.g. silos, hoppers, screw conveyors etc., where automatic operation is required.

WHY SLIM SLIDE

Rotolok's Slim-Slide has all the features of the Manual version, but can be operated remotely as required in process control.

IMPORTANT FEATURES

- Compact Design
- No Lodgement Points
- Dust Tight to Atmosphere on in-line applications
- Stainless Steel Slide Plate
- Aluminium Body
- Nylon Support Studs
- Stainless Steel Slide Plate
- Dust Seals
- Round and Square Inlets
- Complete with Limit Switches, as detailed on drawings

DESCRIPTION

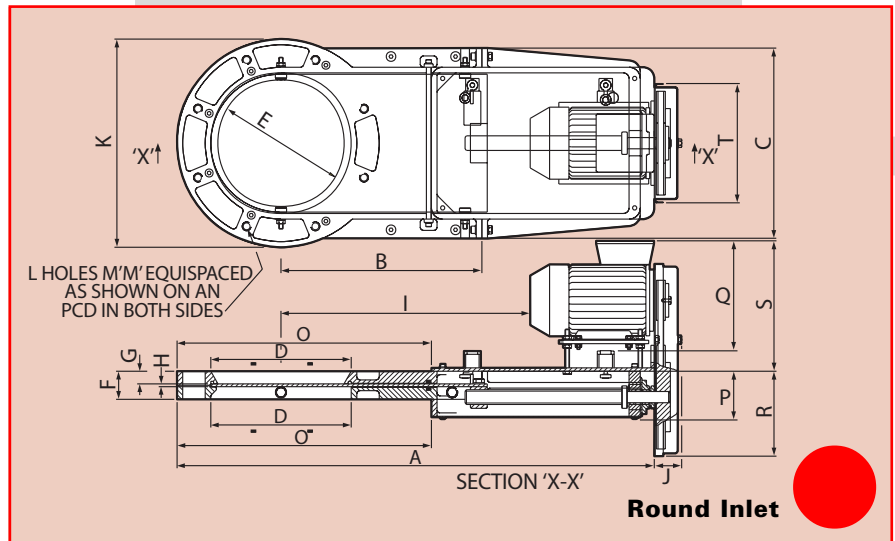
Valve is supplied complete with and limit switches to indicate open/closed positions.

Motor supplied with belt drive in enclosed guard.

Its compact design is incorporated on applications where minimum space is available.

Manufactured on CNC machines ensuring:

- Quick Deliveries
- Interchangeability
- Accurate Components
- Cost Effectiveness
- Quality Control

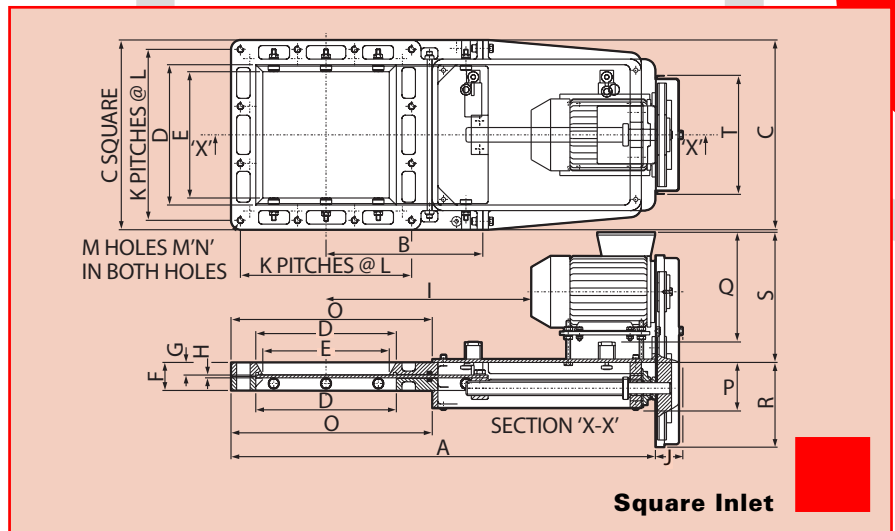


	A	B	C	ØD	ØE	F	G	H	I	J	ØK	L	M	N	O	P	Q	R	S	T	
VALVE SIZE	125	524	233	215	125	100	50	23	5	175	50	240	8	M16	200	263	85	37	151	240	212
	150	599	258	250	150	125	50	23	5	230	50	285	8	M16	241	311	85	37	151	240	212
	200	713	335	300	200	175	50	23	5	325	50	320	8	M16	280	360	85	37	151	240	212
	250	841	358	338	250	225	50	23	5	430	50	370	8	M16	320	453	85	37	151	240	212
	300	976	408	400	300	275	50	23	5	530	50	440	12	M20	395	538	85	37	151	240	212
	350	1110	458	458	350	325	50	23	5	615	50	533	12	M20	445	634	85	37	151	240	212

Dimensions in millimetres unless stated

Dimensions subject to change without notice

DRIVE SPEC: 0.37KW D71 FOOT MOUNTED TEFC MOTOR 1500 RPM
SUPPLY 240/400/3/50HZ COMPLETE WITH 'V' BELT DRIVE IN AN ENCLOSED GUARD



	A	B	C	D	E	F	G	H	I	J	K	L	M	N	O	P	Q	R	S	T	
VALVE SIZE	150	558	235	250	150	125	50	23	5	205	50	3	70	12	M10	270	85	37	151	240	212
	200	668	300	300	200	175	50	23	5	290	50	3	90	12	M10	315	85	37	151	240	212
	250	746	279	338	250	225	50	23	5	350	50	3	101.5	12	M12	358	85	37	151	240	212
	300	858	310	400	300	275	50	23	5	430	50	3	119	12	M10	420	85	37	151	240	212
	350	953	339	458	350	325	50	23	5	495	50	3	140	12	M12	478	85	37	151	240	212

Dimensions in millimetres unless stated

Dimensions subject to change without notice

DRIVE SPEC: 0.37KW D71 FOOT MOUNTED TEFC MOTOR 1500 RPM
SUPPLY 240/400/3/50HZ COMPLETE WITH 'V' BELT DRIVE IN AN ENCLOSED GUARD